

Use a rectangular grid measuring 600 by 600 to position panels in the correct alignment.

Maintain a seam or gap of 20mm between panels. For additional measurement information or panel codes, please refer to the IFC file.

Generic screws for standard timber wall applications are included. However, due to variations in characteristics of the back wall as well as unknown variations in the load-bearing capacities, Aldowa is not able or liable for their fitness or suitability to your application. Therefore, for the use of appropriate screws and plugs, please seek professional advice locally or contact Aldowa with more specifics for a non-binding recommendation.

← 5000249.PEN00101

← 5000249.PEN00201

← 5000249.PEN00301

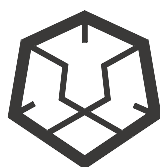
8
Row

4
Column

Onderdeel	Aantal
5000249.PEN00101	52
5000249.PEN00201	12
5000249.PEN00301	12

Rev. date

- 08-02-2024



ALDOWA
LEAVE YOUR MARK

Project

Aldowa web

Description

Sapphire

Overschieeseweg 32
3044 EE ROTTERDAM
The Netherlands
Tel.: 010 - 208 37 88
Fax: 010 - 462 36 51
info@aldowa.nl
www.aldowa.nl

Size A4

Scale 1:25

Date 08-02-2024

Status

Engineering

Client:

Project no. 5000249

Drawn by

Edited by

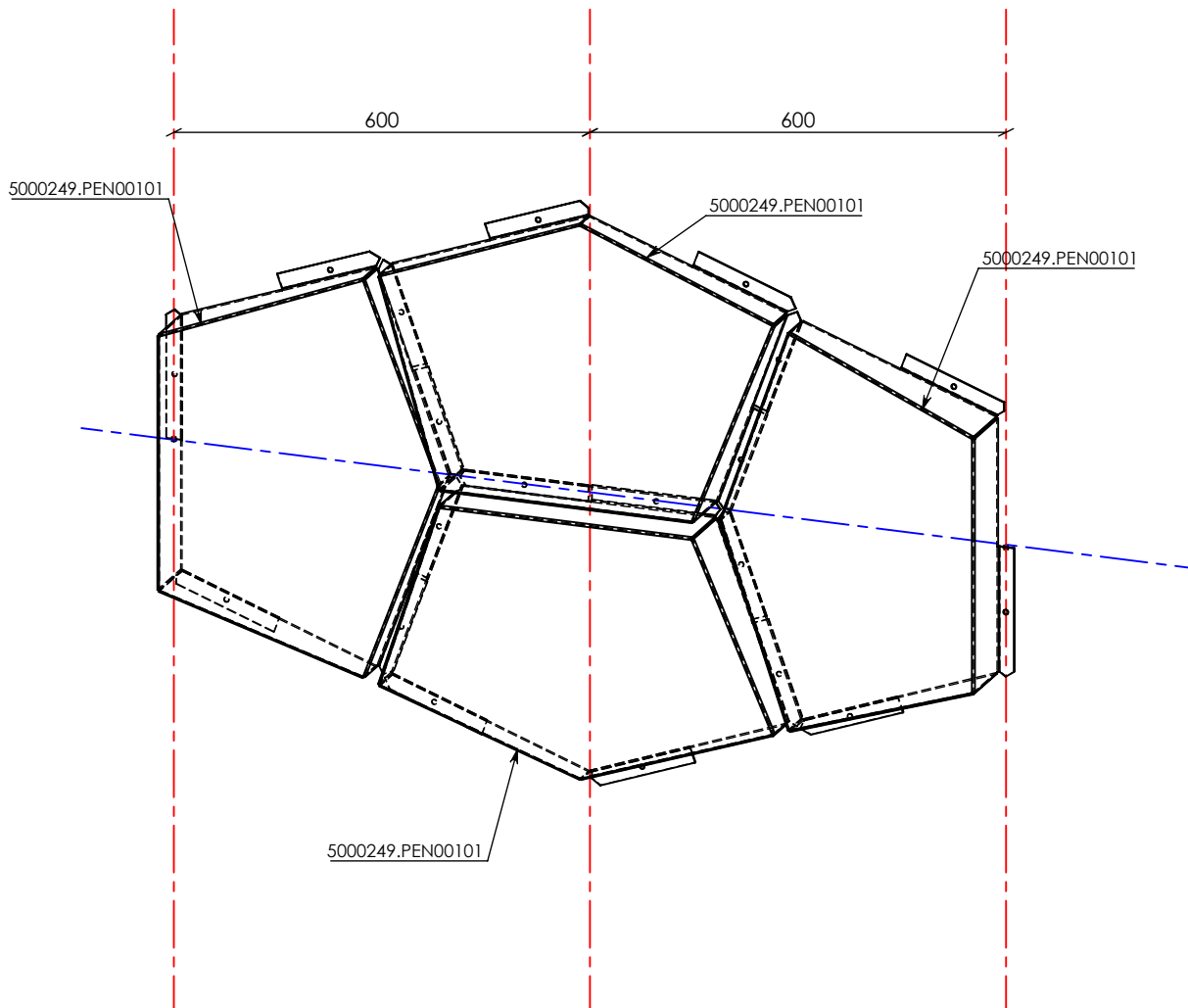
Drawing no.

Rev.

Wall Pentagon

-

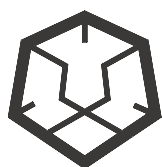
297mm*210mm



Onderdeel	Aantal
5000249.PEN00101	52
5000249.PEN00201	12
5000249.PEN00301	12

Rev. date

- 08-02-2024



ALDOWA
LEAVE YOUR MARK

Project

Aldowa web

Description

Sapphire

Overschieeseweg 32
3044 EE ROTTERDAM
The Netherlands
Tel.: 010 - 208 37 88
Fax: 010 - 462 36 51
info@aldowa.nl
www.aldowa.nl

Size A4
Scale 1:25
Date 08-02-2024
Status Engineering

Client:
Project no. 5000249
Drawn by Edited by
Drawing no. Rev.
Wall Pentagon -

297mm*210mm